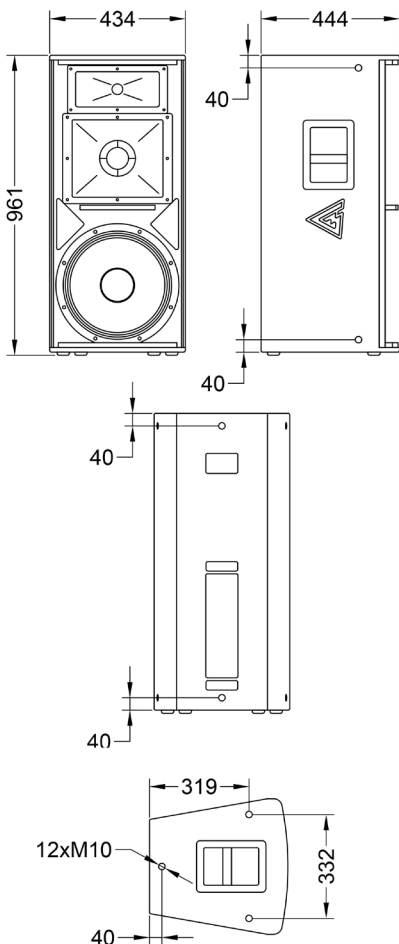
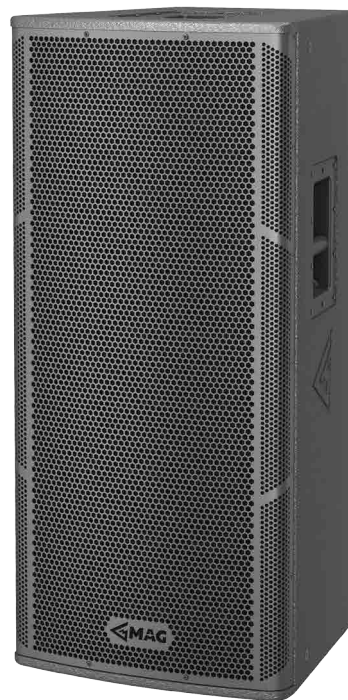




K 35A

K 35A

3-WAY POWERED SPEAKER



Main features:

- 1100W power
- 15" woofer with 3" voice coil
- 8" midrange with 2" voice coil
- 1" HF driver with 1,75" voice coil
- 132 dB Max SPL

Frequency Response (-10dB)	45 - 20000 Hz
Max SPL (peak)	132 dB (calculated)
LF Transducer	15", M1541
MF Transducer	8", ND811
HF Transducer	1", M112
Nominal coverage HxV	90° x 40°
Power	1100 W
Amplifier	Powersoft class D Tri-amp LF 700W+MF 350W+HF 50W Fan cooling
Input sensitivity	+4 dBV
Settings	4 switchable presets
Connectors	XLR in + XLR out
Dimensions (WxHxD)	434x961x444
Net weight	41 kg
Shipping weight	45 kg
Mounting	12x M10 flying points
Enclosure materials	Plywood; wear-resistant paint
Grill	Steel grill, polymere protective net
Color	Black

Acoustical & Electrical data

Connections, physical data
and exploitation